

Designation:

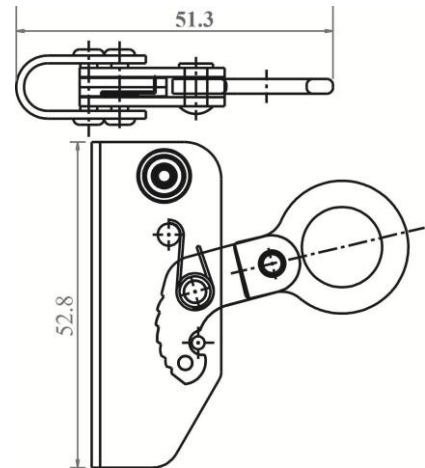
Guided Type Fall Arrester on Kernmantle Rope

- Works on 12 mm diam Polyester Kernmantle rope; the rope grab is incorporated permanently on its anchorage line and comes with an energy absorber.
- The sewing is protected with a strong transparent covering sleeve which protects the end and also makes the stitches visible for easy inspection before the use.
- Minimum breaking strength : > 15 kN.

Connectors:

1 steel screw-locking karabiner opening 17 mm for connection on a harness.

Compliance: EN353-2:2002



Length: 10 metres

Also exists in 20, 30, 40, 50 mtr
Other length on request

Material:

Rope Grab: Stainless steel
Rope: Polyester
Shock Absorber: Polyester and Polyamide

HS code

83081010

Carton Size / Pieces

66x38x24 / 10

Unit Weight

1.85 kg

AET: N° 5598 Issue 1 Extension 1

Satra Technology Centre, N°0321
Wyndham Way, Telford Way, Kettering,
Northamptonshire, NN16 8SD, United Kingdom.

Article 11: GB07/73551

SGS United Kingdom Ltd., N° 0120
Unit 202B, Worle Parkway,
Weston-super-Mare, BS22 6WA, United Kingdom



maj : 05/14

ZI les portes du Dauphiné
4 rue de l'Aigue
69 780 St Pierre de Chandieu – France
Tel : +33 (0)4 72 48 78 27 Fax : + 33 (0)4 72 48 58 32
www.kratossafety.com info@kratossafety.com

