



TECHNICAL SHEET

FA 50 209 14

Designation :

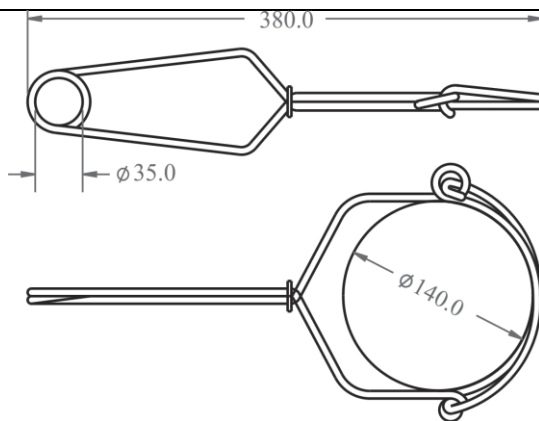
Anchorage Hook

Material: Stainless Steel

Opening: 140 mm

Breaking strength: 23 kN

Compliance: EN362 : 2004 Class A.



HS code

83081010

Carton Size / Pieces

60x40x24 / 30

Unit weight

0.37 Kg

AET : N° 2597 Issue 1 Extension 6

Satra Technology Centre, N°0321
Wyndham Way, Telford Way, Kettering,
Northamptonshire, NN16 8SD, United Kingdom.

Article 11: GB07/73551

SGS United Kingdom Ltd., N° 0120
Unit 202B, Worle Parkway,
Weston-super-Mare, BS22 6WA, United Kingdom



MAJ : 02/15

ZI les portes du Dauphiné

4 rue de l'Aigue
69 780 St Pierre de Chandieu – France
Tel : +33 (0)4 72 48 78 27 Fax : + 33 (0)4 72 48 58 32
www.kratossafety.com info@kratossafety.com

